

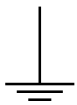
hornet™

Integrator's Guide

IMPORTANT - READ FIRST



ESD Handling Precaution – The Hornet receiver is sensitive to static electricity. Always carry the Hornet by the mounting bracket and be cautious on carpeted flooring.



Ground Connection - For successful installation of the Hornet Cat5 receiver, there must be a valid ground connection. Ensure the AC Outlet is wired properly.

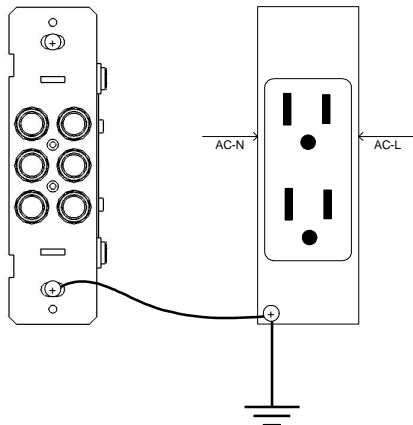


Figure 1 – Additional ground connection

- 1) If the display has no ground connection (only has a two wire AC plug), then connect the Hornet's mounting bracket to the AC outlet as shown in Figure 1.

Pin	Color
1	White / Orange
2	Orange
3	White / Green
4	Blue
5	White / Blue
6	Green
7	White / Brown
8	Brown

Table 1 - TIA/EIA-568-B wiring

- 2) Wire the Cat5 cables as shown in Table 1. The cables should be wired the same at both ends.
- 3) Connect the two Cat5 cables to the Hornet receiver. The upper connector is for HD video, and the lower connector is for audio.
- 4) Install into wall box using the provided 6-32 x 3/4" screws. When installing the Hornet receiver, be sure to install so the notches in the bracket are to the left.
- 5) After the plastic wall plates have been finished or painted, (if required) adhere the appropriate label set to the inner plastic plate. (Hint: Use soapy water to allow label to slide around. When dry it will have full adhesion)
- 6) Snap center wall plate to the Hornet mounting bracket, then outer trim wall plate with screws.